



Electrolux
PROFESSIONAL

**Modular Cooking Range Line
900XP 400 mm Open Base 1/2
Module with flanged feet**

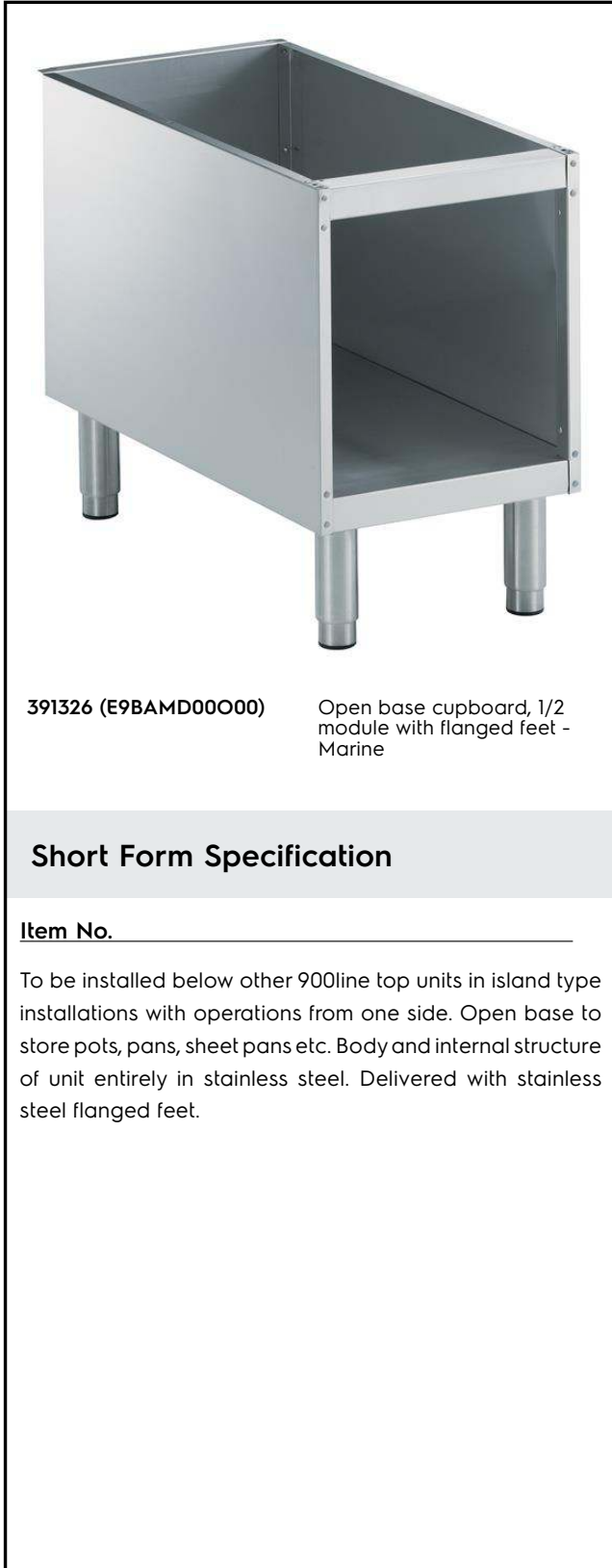
ITEM # _____

MODEL # _____

NAME # _____

SIS # _____

AIA # _____



391326 (E9BAMD00000)

Open base cupboard, 1/2
module with flanged feet -
Marine

Short Form Specification

Item No. _____

To be installed below other 900line top units in island type installations with operations from one side. Open base to store pots, pans, sheet pans etc. Body and internal structure of unit entirely in stainless steel. Delivered with stainless steel flanged feet.

Main Features

- Unit can be easily installed below other 900 line top models.
- Open base compartment for storage of pots, pans, sheet pans, etc.
- Doors with handles, drawers, heating kits and runners for GN containers can be ordered separately.

Construction

- Constructed in Stainless steel with Scotch Brite finish to meet the highest hygiene standards.
- Unit is 930 mm deep to give a larger working surface area.
- Supplied with flanged stainless steel feet.

APPROVAL: _____



Experience the Excellence
www.electroluxprofessional.com

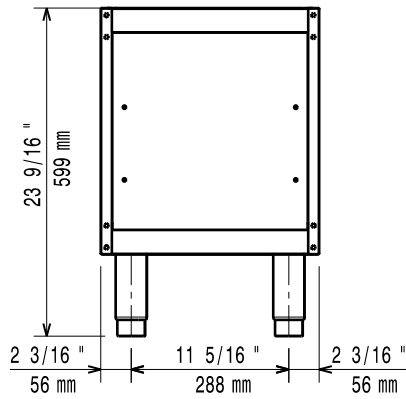
Optional Accessories

			• 2 side covering panels for free standing PNC 216134 appliances <input type="checkbox"/>
• Kit 4 wheels - 2 swivelling with brake - it is mandatory to install Base support and wheels	PNC 206135	<input type="checkbox"/>	
• Flanged feet kit	PNC 206136	<input type="checkbox"/>	
• 2 supports runners for open base cupboard 400mm for GN1/1	PNC 206145	<input type="checkbox"/>	
• Frontal kicking strip for concrete installation, 400mm	PNC 206147	<input type="checkbox"/>	
• Frontal kicking strip for concrete installation, 800mm	PNC 206148	<input type="checkbox"/>	
• Frontal kicking strip for concrete installation, 1000mm	PNC 206150	<input type="checkbox"/>	
• Frontal kicking strip for concrete installation, 1200mm	PNC 206151	<input type="checkbox"/>	
• Frontal kicking strip for concrete installation, 1600mm	PNC 206152	<input type="checkbox"/>	
• Frontal kicking strip, 400mm (not for refr-freezer base)	PNC 206175	<input type="checkbox"/>	
• Frontal kicking strip, 800mm (not for refr-freezer base)	PNC 206176	<input type="checkbox"/>	
• Frontal kicking strip, 1000mm (not for refr-freezer base)	PNC 206177	<input type="checkbox"/>	
• Frontal kicking strip, 1200mm (not for refr-freezer base)	PNC 206178	<input type="checkbox"/>	
• Frontal kicking strip, 1600mm (not for refr-freezer base)	PNC 206179	<input type="checkbox"/>	
• Pair of side kicking strips (not for refr-freezer base)	PNC 206180	<input type="checkbox"/>	
• 2 panels for service duct for single installation	PNC 206181	<input type="checkbox"/>	
• 2 panels for service duct for back to back installation	PNC 206202	<input type="checkbox"/>	
• Kit 4 feet for concrete installation (not for 900 line free standing grill)	PNC 206210	<input type="checkbox"/>	
• Electric heating kit for cupboards	PNC 206259	<input type="checkbox"/>	
• 2 DRAWERS (H=100MM) BASE 900 LINE-OEM	PNC 206333	<input type="checkbox"/>	
• 2 drawers for open base cupboards, 100mm height	PNC 206334	<input type="checkbox"/>	
• 2 side covering panels, height 700 mm, depth 900 mm	PNC 206335	<input type="checkbox"/>	
• Door for open base cupboard	PNC 206343	<input type="checkbox"/>	
• Door for open base cupboard	PNC 206350	<input type="checkbox"/>	
• 2 DRAWERS (H=100MM) BASE 900 LINE-ZAN	PNC 206361	<input type="checkbox"/>	
• Base support for feet or wheels - 400mm (700/900)	PNC 206366	<input type="checkbox"/>	
• Base support for feet or wheels - 800mm (700/900)	PNC 206367	<input type="checkbox"/>	
• Base support for feet or wheels - 1200mm (700/900)	PNC 206368	<input type="checkbox"/>	
• Base support for feet or wheels - 1600mm (700/900)	PNC 206369	<input type="checkbox"/>	
• Base support for feet or wheels - 2000mm (700/900)	PNC 206370	<input type="checkbox"/>	
• Rear paneling - 600mm (700/900XP)	PNC 206373	<input type="checkbox"/>	
• Rear paneling - 800mm (700/900)	PNC 206374	<input type="checkbox"/>	
• Rear paneling - 1000mm (700/900)	PNC 206375	<input type="checkbox"/>	
• Rear paneling - 1200mm (700/900)	PNC 206376	<input type="checkbox"/>	
• Base support for feet or wheels - 600mm (700/900)	PNC 206431	<input type="checkbox"/>	

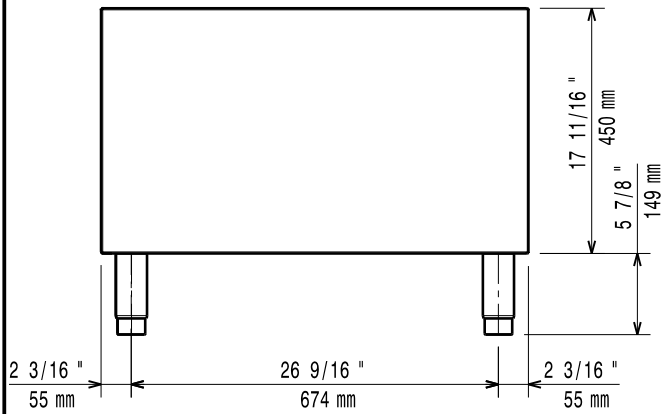
Key Information:

External dimensions, Width:	
391326 (E9BAMD00000)	400 mm
External dimensions, Depth:	785 mm
External dimensions, Height:	600 mm
Net weight:	22 kg

Front



Side



Top

